

REAR-VIEW WITH VIM INTEGRATION & CAMERA FOR DODGE & JEEP VEHICLES 2014-UP

RVCCH-75C



U-CONNECT 8.4" SCREEN
U-CONNECT 5" 6-BUTTON/ 2 KNOB

DODGE:
2014 -2014 Durango

JEEP:
2014 -2014 Grand Cherokee

We recommend reading this installation guide first before starting any work. Following these instructions from "Start" to "Finish" will ensure a smooth and hassle free installation. We offer telephone support M-F 9:00 AM – 5:00PM PDT at 1 (855) 822-1348. We are here to help.

PARTS INCLUDED:

- (1) Camera (CH-75C)
- (1) 15 ft. Extension
- (1) CH-75C Interface
- (1) CH-75C Harness
- (1) Instruction

Camera Specifications:

- Lens Angle 170 Degrees
- Resolution 420 TV Lines
- Min. Illumination 0.2Lux
- Voltage 12v
- Operating Temp. -22°F - 176°F
- NTSC
- Reference Lines
- Shutter Speed 1/60s - 20us
- Waterproof
- Pixels 656 x 492

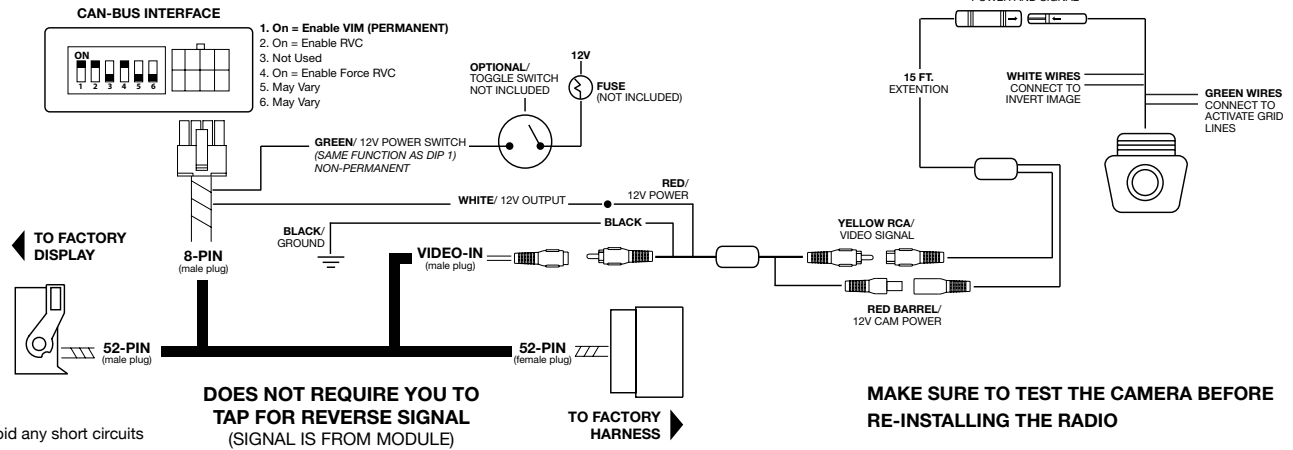
PRECAUTIONS:

- Remove the negative side of the battery to avoid any short circuits during the installation.
- Do not install the interface near any major components or near the HVAC system. This may cause damage or overheating to the vehicle.

PRELIMINARY:

Please read the entire manual before installing this interface.

CONNECTIONS OVERVIEW



INSTALLING THE CAMERA AND CABLE

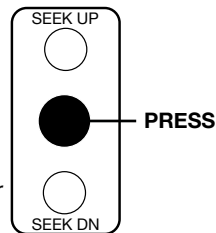
1. Remove the rear lip panel.
2. Drill a 5/8 size hole in the available location
3. Fish the wires through the drilled hole and through the pass through into the trunk/cargo area. Make video and power connection.
5. Remove the factory radio to gain access to the factory connectors.
5. Route the wires towards the radio and make the power and video connections. For powering up the camera, use the 12v OUTPUT (White Wire). (See Overview)
6. Test the camera before re-installing the radio.

Note: The camera is defaulted to power down after 10 seconds.

FORCE REVERSE

The force reverse is used to view the back-up camera when the vehicle is not in reverse gear. Allows you to view what is in the back while driving.

To activate this feature make sure the dip switch settings are correct. Then simply **press the center button** once on the **Left Hand** steering wheel control.

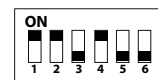


Note: The camera is defaulted to power down after 10 seconds.

IMPORTANT:
Compatible Radio Type:
U-CONNECT 8.4" SCREEN
U-CONNECT 5" 6-BUTTON/ 2 KNOB

SETTING THE DIP SWITCHES

TO ENABLE VIDEO IN-MOTION



1. On = Enable VIM
2. On = Enable RVC
3. Not Used
4. On = Enable Force RVC
5. May Vary
6. May Vary

- Dip 1:** Activates the Video In-Motion feature. The dip switch is the permanent solution for keeping the VIM unlocked. Use the Green wire with a toggle switch for a non-permanent solution. (Switch not included)
- Dip 2:** Activates the Rear-View Camera image when the vehicle is in reverse gear.
- Dip 4:** Activates the "Force Rear-View Camera" while driving. Force Rear-View Camera allows the driver to view the rear-view camera when not in the Reverse gear.
- Dip 5 & 6:** Varies, these switches are defaulted both to OFF. If the radio is having turn-on issues please try the following:

- Attempt One: Set both 5 & 6 to the ON position.
- Attempt Two: Set 5 to On and 6 to OFF.
- Attempt Three: Set 5 to OFF and 6 to ON.

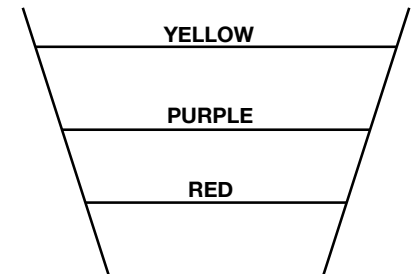
If none of the above solutions work out for your vehicle please contact tech support.

TROUBLE SHOOTING

1. No video display while in reverse.
 - Make sure the dip switches are in the correct position. More support contact us.

PARKING LINE

The parking lines are there to assist you while reversing. To activate the parking lines simply connect the GREEN wires located near the 4 pin camera connector in the back. To invert the image simply connect the WHITE wires.



What the lines mean:

- Yellow Line: CLEAR
- Purple Line: GETTING CLOSE
- Red Line: WARNING - VERY CLOSE

REAR-VIEW WITH VIM INTEGRATION & CAMERA FOR DODGE & JEEP VEHICLES 2014-UP

RVCCH-75C



U-CONNECT 8.4" SCREEN
U-CONNECT 5" 6-BUTTON/ 2 KNOB

DODGE:
2014 -2014 Durango

JEEP:
2014 -2014 Grand Cherokee

COMPATIBLE RADIOS:



**NOT COMPATIBLE RADIO
DOES NOT SUPPORT COLOR**

IMPORTANT:
Compatible Radio Type:
U-CONNECT 8.4" SCREEN
U-CONNECT 5" 6-BUTTON/ 2 KNOB